

MUTE

ACOUSTIC PRIVACY POD



1Six8

Designers of sustainable
**architectural acoustic
solutions**

MUTE

ACOUSTIC PRIVACY POD

Our Mute desktop acoustic privacy pods bring a new dimension to desktop screening in a solution that is lightweight and totally mobile.

Being lightweight and portable makes these privacy pods the perfect solution for either hot desking or cluster desks giving you that bit of privacy we all crave in a busy office. Because the material is 100% polyester fibre it has sound absorbing qualities which helps quieten the hustle and bustle of an open plan office environment.



MUTE

ACOUSTIC PRIVACY POD



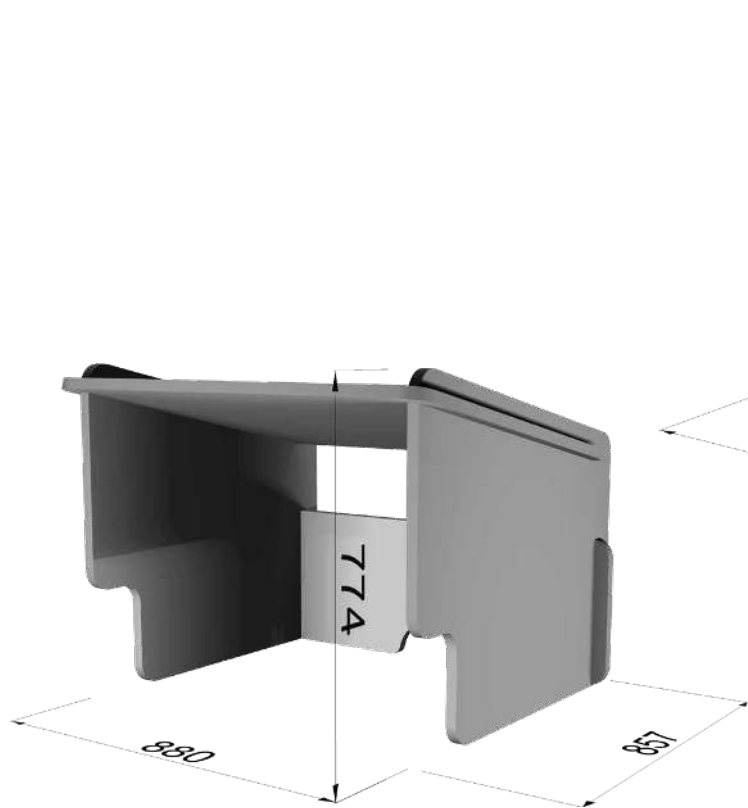
MUTE

ACOUSTIC PRIVACY POD

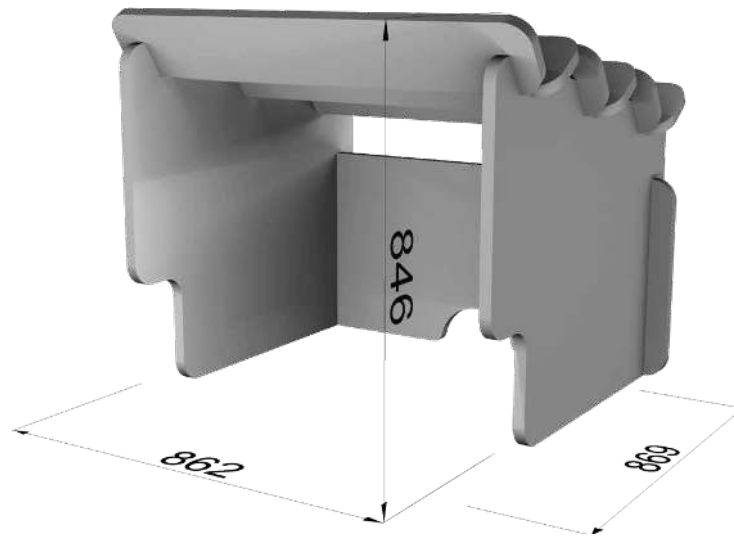


MUTE

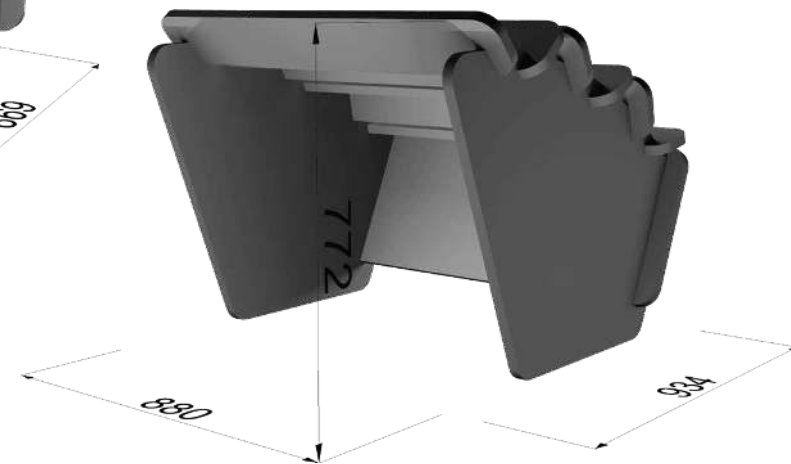
ACOUSTIC PRIVACY POD



MUTE 1



MUTE 2



MUTE 3

SPECIFICATIONS



PRODUCT SPECIFICATIONS

Composition: 24mm 100% Polyester Fibre
Recycled content: Minimum 45% PET plastics
Recyclability: 100% recyclable
Product Dimensions: See dimensions on previous page

ACOUSTICS

Acoustic NRC Rating: E-87 NRC 0.95 (24mm material)
Calculated to BS EN
ISO 11654:1997

VOC EMISSIONS

VOC concentration: Low VOC product.
Product manufactured from 100% polyester fibres and no
chemicals are used in manufacture of the material.

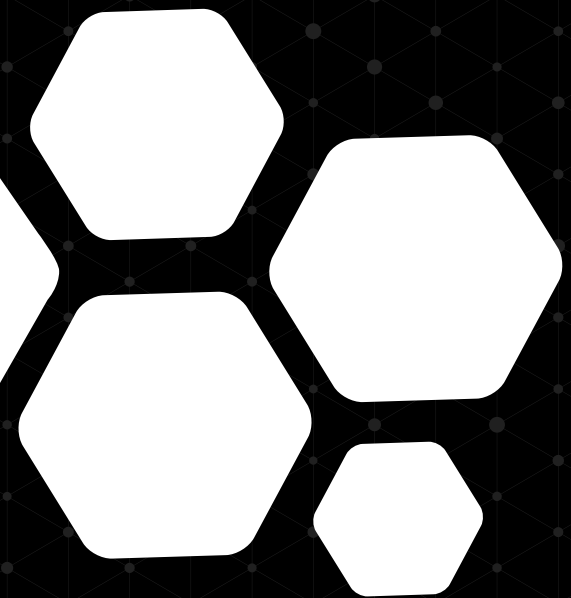
PET MATERIAL FIRE RATINGS

24mm - EN13501-1:2018: B-s1, d0

INSTALLATION

We recommend all 14six8 products to be installed by a preferred installer.
Preferred installers can be supplied on request.

14six8



MUTE
ACOUSTIC PRIVACY POD

Telephone

Francois: +44 7305 349443

Daniel: +27 82 331 8319

Email

studio@14six8.com

Website

www.14six8.com

Address

71-75, Shelton Street, Covent Garden,
London, WC2H 9JQ, United Kingdom